

FMT-302(NL) OPERATING MANUAL

27MHz 2-CHANNEL REMOTE CONTROL DIGITAL TRANSMITTER

The FMT-302(NL) is an updated model of the FMT-202(NL). The FMT-302(NL) has an improved transmission, which complies with American, Canadian and European radio frequency regulations. The FMT-302(NL) is part of a two-channel remote control system. A few of its applications could be as:

- a remote control switching device for garage doors, lights, gates and automatic telephone dialer.
- a calling device for the elderly or handicapped.
- a personal security alarm activator for home safety or cash carrying businesses e.g. banks, shops service stations, etc.

The transmitter is housed in an attractive, high impact resistant grey ABS plastic case.

Pressing the designated switch on the front positively activates the transmitter. Activation is confirmed by the sound of its built-in buzzer.



The highest possible standard of performance is achieved by employing a crystal-controlled, frequency modulated radio signal operating in the 27MHz band. This is enhanced by a specially dedicated custom-built integrated circuit. The latest "state of the art" surface-mount technology (SMD) provides maximum reliability.

A 10-way code switch (part of the digital encoding system) is used. This enables the user to select any one of the 1024 available codes and thus ensure highest security against false operations. The eleventh switch is changed by pressing either channel A or B. The twelfth switch is on if a wire link is next to the code switch, if it is removed the twelfth switch is off. This is displayed on the back of the battery cover of the FMT-302(NL). The code can be readily changed at any time.

An operating distance (in conjunction with our FMR series receivers) of 500 metres is possible.

The operating distance depends upon the receiver antenna and location. An independent test revealed the following ranges:

Range (Metres)	Receiver Antenna	Receiver Type
100	250 mm Long Wire	FMR-...
400	1000 mm Long Wire	FMR-...
>500	ANT27M	FMR-...

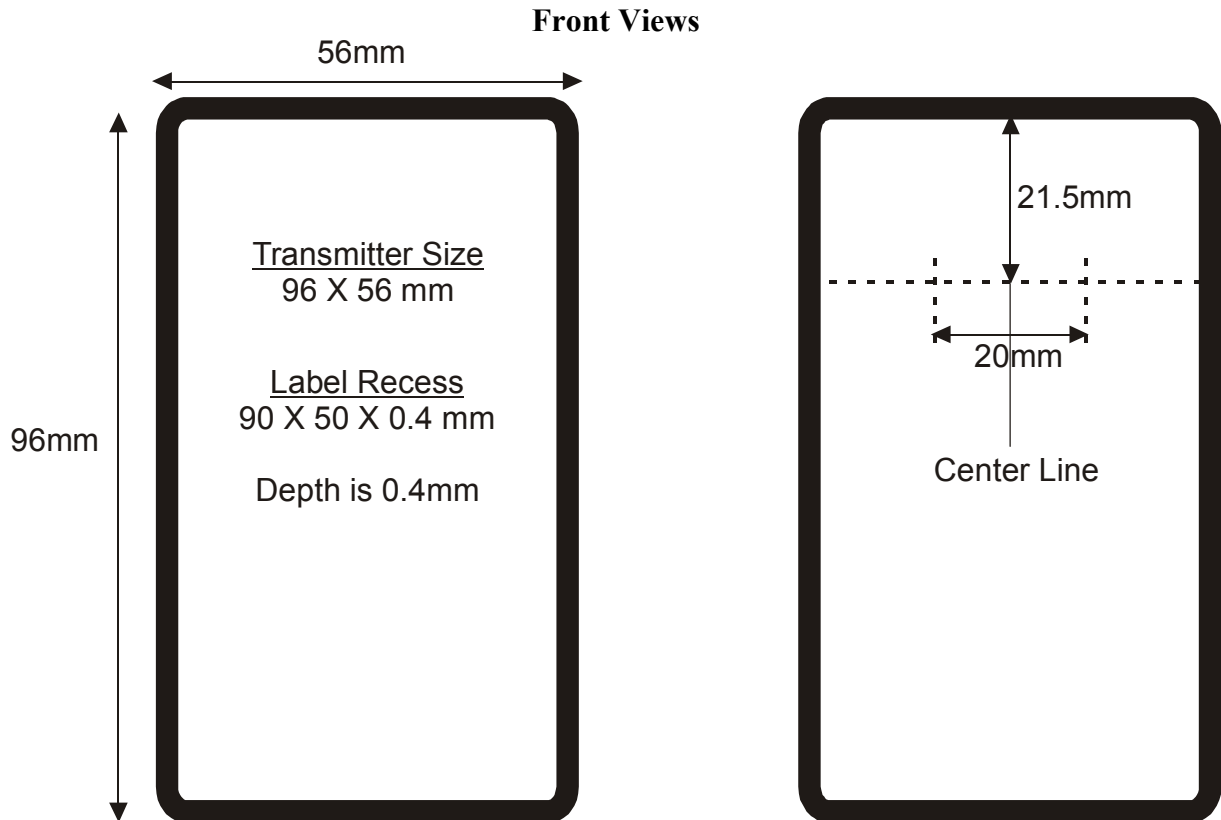
Range tests were done in an open area test site with line-of-sight operation and the receiver antenna wire was fixed vertically, away from any metal objects.

When operating near its range limit, some improvements may be obtained by pointing the controller towards the receiver. This is due to its slightly directional properties.

The case of the transmitter has been designed to accept Elsema's leather covers. The leather covers have a belt clip.

The transmitter is also available without its front label (No Label, FMT-302NL). This enables the fitting of customer's own labels.

DIMENSIONS FOR CUSTOMISED FMT-302 LABEL



Notes:

- Label size should be 0.5 mm less than the above recess i.e. 89.50 X 49.50 mm.
- Rounding in the corners is 4.3 mm (11/64") diameter.
- On the four-channel transmitter, channel –one is at the extreme left followed by channel-two, etc

Recommended label material : Polyester Autotex F200

Label Suppliers:

Entech Integrated Manufacturing

Phone : (61) 8 8373 6116

Fax : (61) 8 8373 6018

Screen Printing

Australia

Phone : (61) 2 9676 4560

Fax : (61) 2 9676 4561

Permark Industries Aust (1999) Pty Ltd

Phone : (61) 2 9911 6656

Fax : (61) 2 9819 6517

Email : amrat@permark.com.au

REGULATORY COMPLIANCE STATEMENTS

American Users

This device complies with Part 15 of the FCC Rules. Operation is subject to the following two conditions:

- (3) This device may not cause harmful interference and
- (4) This device must accept any interference received, including interference that may cause undesired operation.

FCC Notice

This device has been tested and found to comply with the limits for a Class B digital device, pursuant to Part 15 of the FCC Rules. These limits are designed to provide reasonable protection against harmful interference in a residential installation. This device generates, uses, and can radiate radio frequency energy and, if installed and used in accordance with the instruction, may cause harmful interference to radio communications. However, there is no guarantee that interference will not occur in a particular installation. If this device does cause harmful interference to radio or television reception, the user is encouraged to try to correct the interference by one or more of the following measures:

- Reorient or relocate the receiving antenna.
- Increase the separation between the computer and receiver.
- Connect the computer into an outlet on a circuit different from that to which the receiver is connected.
- Consult the dealer or an experienced radio/TV technician for help.

Caution: Any changes or modifications not expressly approved by the grantee of this device could void the user's authority to operate the equipment.

Canadian Users

This Class [B] digital apparatus meets all requirements of the Canadian Interference-Causing Equipment Regulations.

Cet appareil numérique de la classe [B] respecte toutes les exigences du Règlement sur le matériel brouilleur du Canada.

European Users

This information Technology Equipment has been tested and found to comply with the following European directives:

- ETS 300 683
- I-ETS 300 220

Australian and New Zealand Users

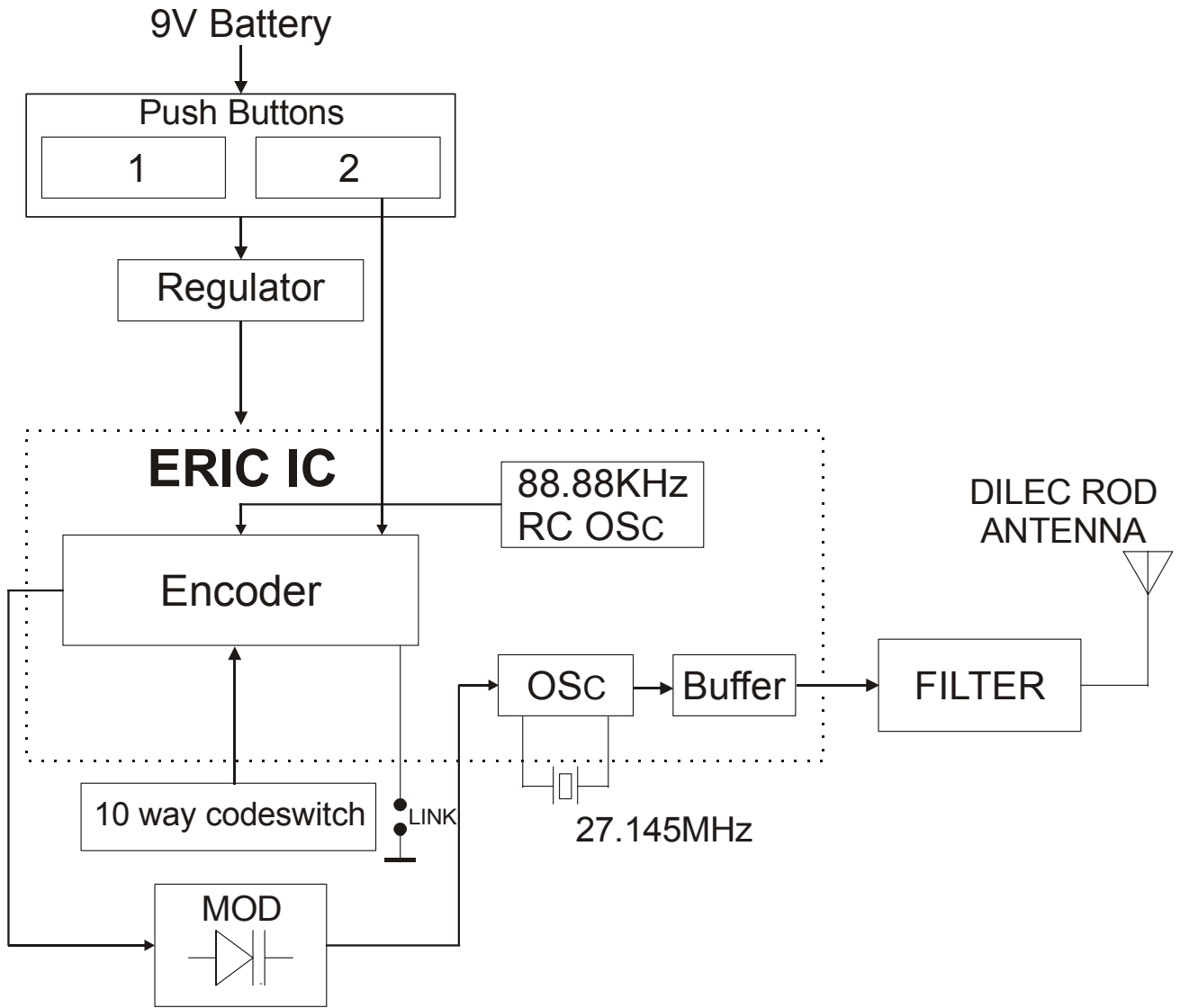
This device has been tested and found to comply with the limits for a Class [B] digital device, pursuant to the Australian/New Zealand standard AS 4268.2 (1995) set out by the Spectrum Management Agency.

TECHNICAL DATA ON FMT-302(NL)

POWER SOURCE :	9-Volt Battery Carbon : approximately 1 year shelf life (6F22) Alkaline : approximately 2 year shelf life
SUPPLY VOLTAGE:	6 to 16 VDC (For constant RF-Output)
CURRENT CONSUMPTION :	40mA (Typical) at 8VDC supply while transmitting
OPERATING FREQUENCY :	27.145MHz (Other frequencies available on 27.045, 27.195 and 27.455 MHz. The 27.455 frequency is not available for Australia).
CARRIER FREQUENCY TOLERANCE :	Crystal controlled 30 parts per million (0 to 50° C)
RADIATED FIELD STRENGTH :	70 dB μ V/m at 3 metres (+-3dB) or 3 μ Watts
ANTENNA :	Built in 50mm proprietary DILEC rod
TYPE OF EMISSION :	Narrow-band-width Frequency Modulation (5K00F1D)
FREQUENCY DEVIATION :	1600 Hz non-return to zero (+-20%)
TYPE OF MODULATION :	Manchester format 1.08 ms per bit (15% tolerance)
BITS PER SECOND :	926 bps
SPURIOUS TRANSMISSION :	Complies with FCC 15.227 (USA), MPT 1346 pt 4.5 (UK) and ETS 300 220 (Europe)
NECESSARY BAND WIDTH :	+ - 5.0 KHz
DIGITAL CODING SYSTEM :	On board 10-way coding switch (1024 channels) Channel "A" is equal to code-11 "on", Channel "B" is equal to code-11 "off" Wire Link is equal to code-12 "on" and No Link is equal to code-12 "off" (In receiver)
DIMENSION :	96 X 55 X 20 mm
WEIGHT :	72g excluding battery
USEABLE OPERATING RANGE :	500 metres. Depends on receiver antenna and location
COMPATIBLE RECEIVERS :	All Elsema type FMR-... series

Due to its popularity, ELSEMA PTY. LTD stocks the Carbon Battery 6F22. The indicated shelf life is only approximated and can vary greatly depending on the freshness and type of brand used.

FMT-302(NL) BLOCK DIAGRAM



FMT-102A, FMT102MS and FMT-202DA 27MHz 2-CHANNEL REMOTE CONTROL TRANSMITTER with Options

FMT-102A : 2-channel remote control transmitter is used for remote control applications where code switch number 10 is used to address the two channels i.e. Channel 1 is code switch 10 ON and Channel 2 is code switch 10 OFF. This transmitter is used when the receiver has a 10-way code switch and code switch 11 and 12 are hard wired on the printed circuit board. This hard wiring of track results in four possible combinations, which is known as Group 1, 2, 3 and 4. This is explained below.

	Code Switch		PCB tracks	Applications	Marking
	11	12	on – or +		
Group 1	on	on	Both tracks on -	Garage Doors	White Dot
Group 2	off	on	11 on + and 12 on -		Yellow Dot
Group 3	on	off	11 on - and 12 on +	Alarm Systems	Red Dot
Group 4	off	off	Both tracks on +	Reserved	Reserved

When ordering an FMT-102A transmitter you must specify which group you want.

FMT-102MS : 2-channel remote control transmitter with Master/Slave (Dual Access) This transmitter is replaced with the FMT-202DA.

FMT-202DA : 2-channel remote control transmitter is used for remote control applications where channel 1 is for a main entry and channel 2 is for a private entry (Dual Access). When channel 1 (Main Entry) is pressed, code switch 1 to 4 is transmitted as is on the code switch and 5 to 12 is transmitted as OFF regardless to the code switch settings. When channel 2 (Private) is pressed, code switch 1 to 12 is transmitted as is on the code switch. This enables the user to have channel 1 (Main Entry) as a common code and up to 256 different channel 2 codes. An application would be a large home unit where there is a Main Entry (Channel 1) and up to 256 private garages (Channel 2) within the home unit.

All the above controllers are available without front membrane label, this is to enable the fitting of customers own designed label.

Technical data on the FMT-102A, FMT-102MS and FMT-202DA is the same as the FMT-202 transmitter, except the 12-bit code transmitted is different. Refer to above description for details on the 12-bit code transmitted.

FMT-102A



FMT-202DA

